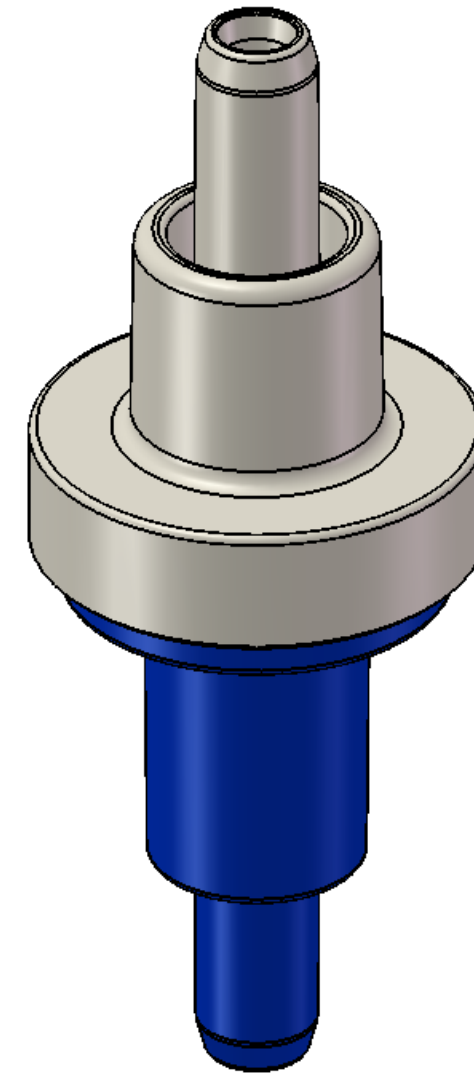
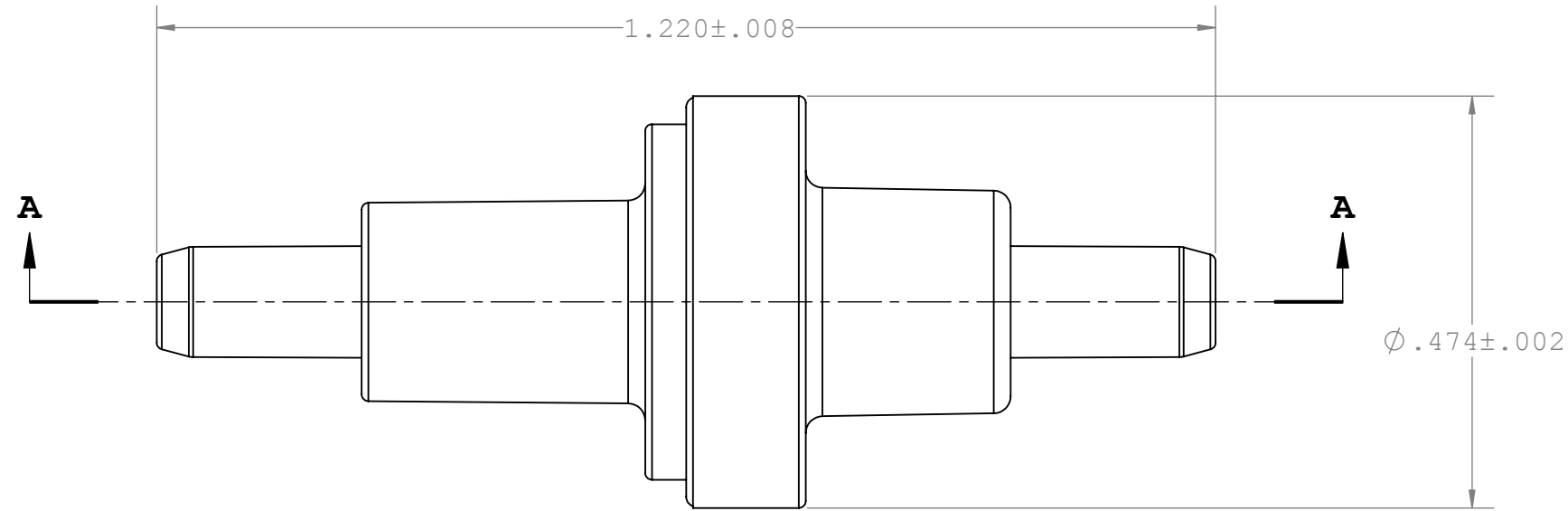
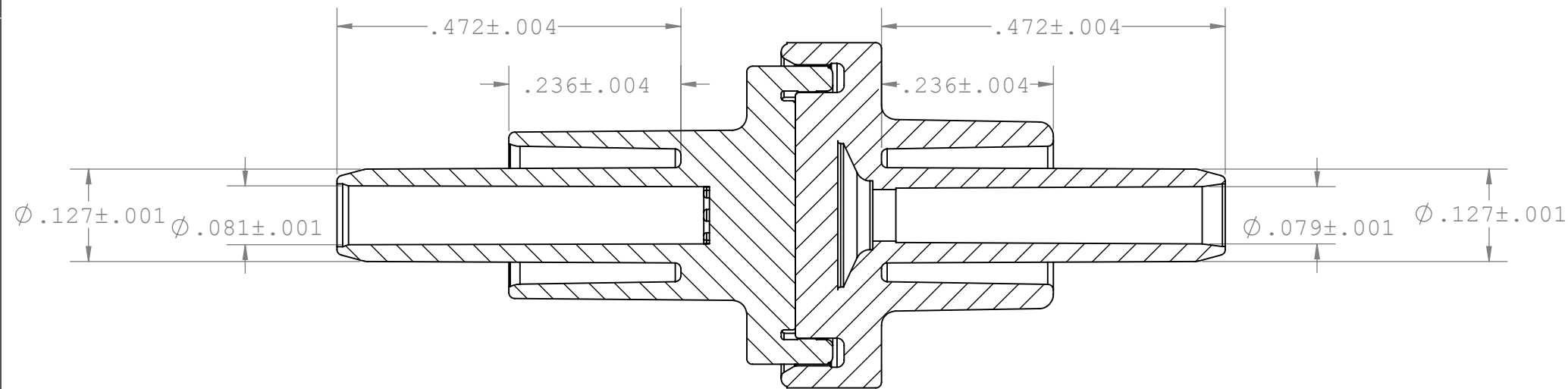


NOTES: FOR ADDITIONAL DETAILS, PLEASE CONTACT VP CUSTOMER SERVICE
 DIMENSIONS MARKED \square ARE CONTROL DIMENSIONS

REVISIONS			
REV.	DESCRIPTION	DATE	APPROVED
A	INITIAL RELEASE	04-07-14	HL



DIRECTION OF
FLUID FLOW



SECTION A-A

UNLESS OTHERWISE SPECIFIED DIMENSIONS ARE IN INCHES TOLERANCES ARE:		VALUE PLASTICS, INC			
FRACTIONS DECIMAL ANGULAR \pm .XX \pm .01 \pm 1° .XXX \pm .005 .XXXX \pm .001		PART NUMBER: SCV06265			
DO NOT SCALE DRAWING		DESCRIPTION: Check Valve, Socket for .122" (3.1mm) ID X .165" (4.2mm) OD Tubing X 2, Blue and Clear Polycarbonate w/Silicone Diaphragm			
DRAWN BY: Jonathan Mayer	DATE: 4/7/2014	SIZE: B	SCALE: NTS	VER: 1030373	DWG. NO. 1030373
MANAGER: Huadong L.		© 2011 VALUE PLASTICS, INC			REV A
				SHEET:	1 OF 1

FOR REFERENCE ONLY